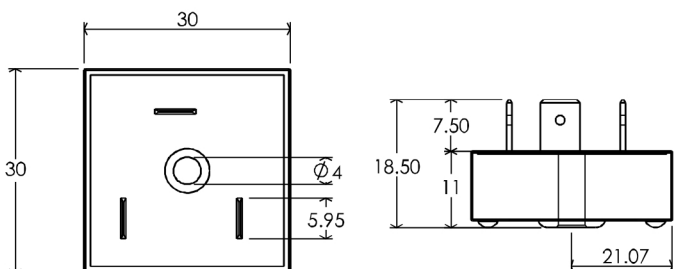


ELECTRONIC CENTRIFUGAL SWITCHES FOR SPLIT PHASE INDUCTION MOTORS

ECS 125PS



MODEL CHART

Switching part	Motor ratings		
	Hp	Aux. coil rating volt	Pole
T2535-800G	0.5~3.0Hp	100 ~ 120 VAC	2,4,6

ELECTRICAL CHARACTERISTICS (TYPICAL RATINGS OTHER THAN SPECIFIED)

Parameter	ECS125PS	Unit	
Non repetitive peak current @ half cycle, 50/60Hz	250	A	
Thermal impedance @ 7.4sec, 25A	2.1	°C/W	
Switch-on delay time @ 50/60Hz	2	cycle	
*Discharge resistor	-	KΩ	
**Forced switch-off locked rotor time	60Hz	7.4	sec
	50Hz	8.8	sec
**Maximum Number of successive restarts	-	-	
Forced switch-off starting coil voltage	200 ~ 250	V	
Line voltage, VL	100 ~ 120	V	
Dielectric strength, between case and pins	>2500	VDC	
Insulation resistance, between case and pins	>10	MΩ	
Ambient air temperature	-20 ~ 60	°C	

* For frequent (high duty) restarts, it is recommended to connect an additional resistor in parallel with starting capacitor.

**These can be initialized by either power interruptions or successful motor run states.

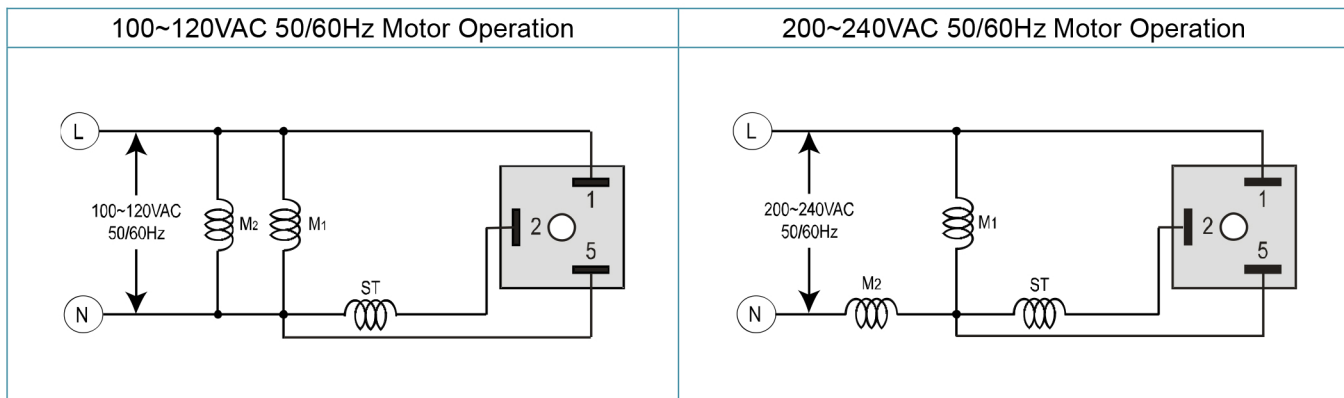
CERTIFICATION



IEC/ EN 60730-1 (Automatic electrical controls for household and similar use)

IEC/ EN 60730-2-10 (particular requirements for motor-starting relays)

TYPICAL WIRING



M₁, M₂ : Main Coil , ST : Starting Coil